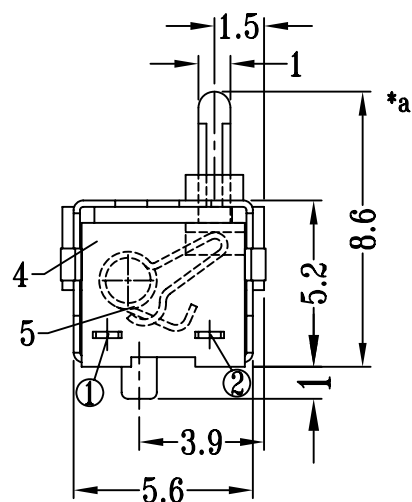


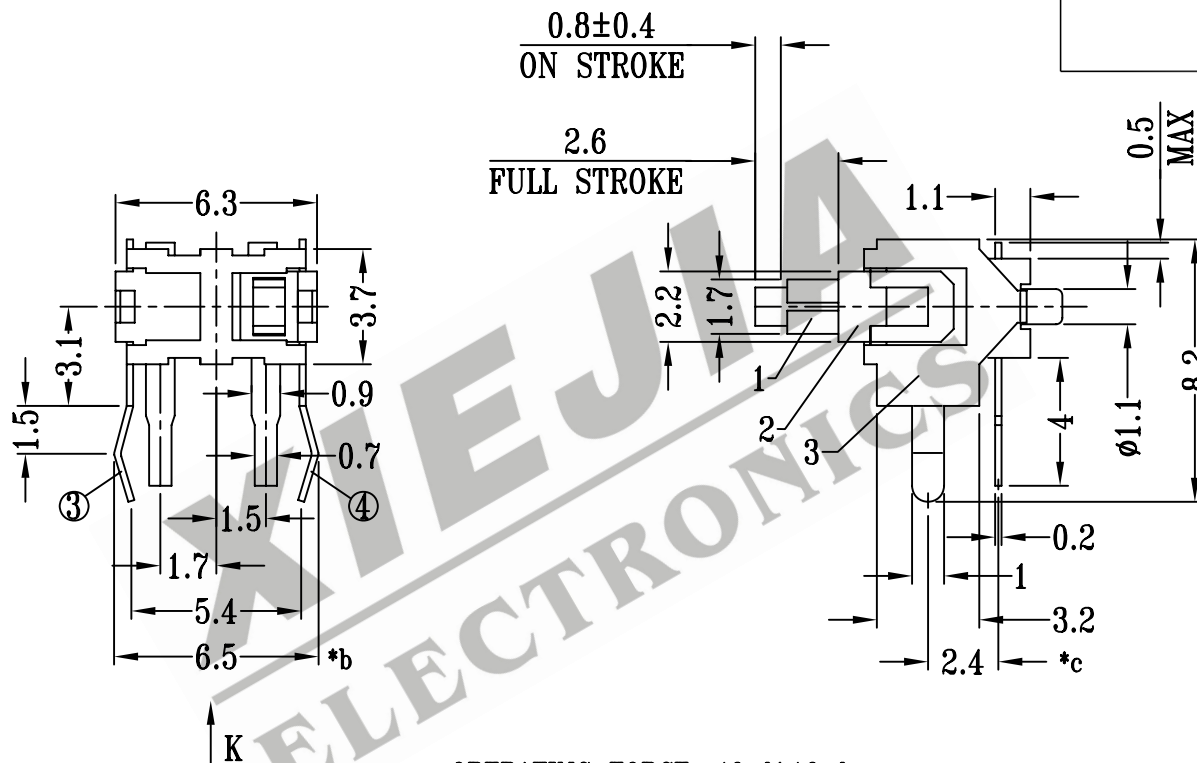
CAD FILE:



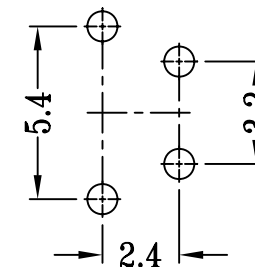
CIRCUIT DIAGRAM



K VIEW



OPERATING FORCE: 40gf±10gf



P.C.B LAYOUT

注:带"\*"表示关键尺寸(3个)

8					TOLERANCE UNLESS SPECIFIED	SHENZHEN XIEJIA ELECTRONICS CO.,LTD.				
7										
6					WITHIN: 1.5±0.1mm OVER : 1.5±0.2mm	ISSUE	DATE	DESCRIPTIONS OF REVISION		APPD.
5	CONTACT SPRING	36# SUS	1	TEMPER/Ag PLATED	TITLE : TACT SWITCH  MODEL: TC-V030A  ALL MATERIALS MUST BE COMPLIANT TO ROHS	UNIT : mm  SCALE: 4:1	DRWG NO.: XJ-DR-TCV030A-00			
4	CASE	NYLON/6# BRASS STRIP	1	BLACK/Ag PLATED			DWN.	ZHOUYU	2001-6-27	
3	FRAME	0.22mm ZINC PLATE	1	WASHING			CHK'D	FANGYING	2001-6-27	
2	COVER	NYLON	1	BLACK			APPD.	KANGXINAN	2001-6-27	
1	KNOB	POM	1	BLACK						
NO.	PARTS	MATERIALS	Q'TY	FINISH						